

Description

This Opto-Isolated Digital Output slot card has 16 optically isolated, sinking Darlington output channels. All outputs share a common (ground) reference. The maximum sinking current is 1.0A per channel and the maximum allowed voltage across the output is 60V. Inductive loads can be driven directly. See specification table for inductive protection details.

A suppression diode is required when switching inductive loads.

Specifications

Electrical

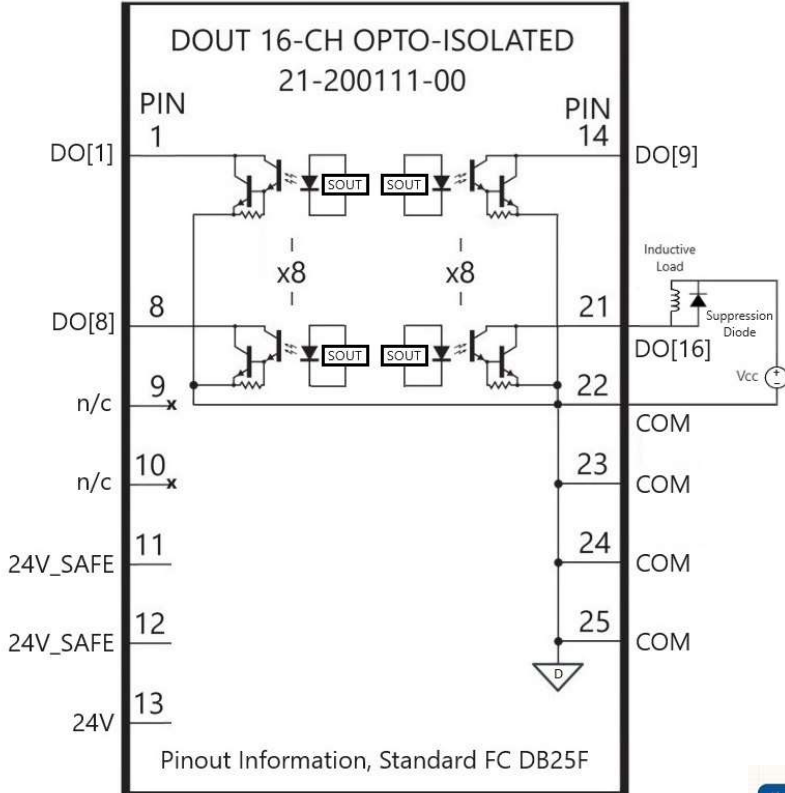
Slot Card Type	Digital Out, opto-isolated
No. of channels	16
Output Type	Sinking
Nominal Input Voltage	5-24V
Rise Time	10us
Fall Time	15us
Turn-on Time	5us
Turn-Off Time	45us
Max current ON (@24V)	1.0A
Max switched inductive load energy	120 mJ, single pulse
Power consumption	0.05W
Output Update Rate	8 kHz

Mechanical

Dimensions	98 x 45 mm
Weight	24 g

Environmental

Operating temp	0°C to 55°C
Storage temp	-40°C to 85°C
Relative Humidity, operating	10% to 90%, non-condensing



Pinout Information, Standard FC

DSUB pin	Function	DSUB pin	Function
1	DO OPTO[1]	14	DO OPTO[9]
2	DO OPTO[2]	15	DO OPTO[10]
3	DO OPTO[3]	16	DO OPTO[11]
4	DO OPTO[4]	17	DO OPTO[12]
5	DO OPTO[5]	18	DO OPTO[13]
6	DO OPTO[6]	19	DO OPTO[14]
7	DO OPTO[7]	20	DO OPTO[15]
8	DO OPTO[8]	21	DO OPTO[16]
9	n/c	22	COM
10	n/c	23	COM
11	24V_SAFE	24	COM
12	24V_SAFE	25	COM
13	24V		

