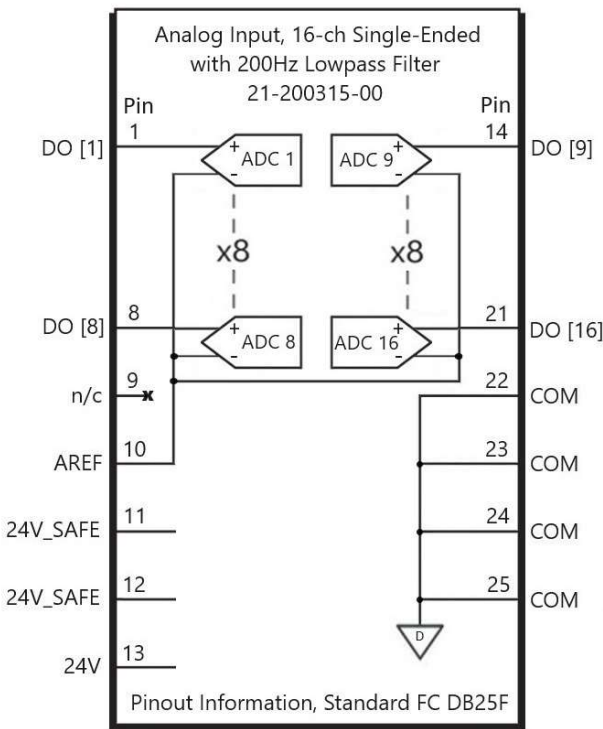


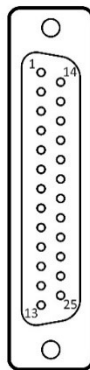


Description

The 16-channel Analog Input slot card provides single-ended input channels with 16-bit resolution and an input range of -10V to +10V. Input channels which are not connected default to 0 volts. A common ground reference pin is provided (**AREF**). Additionally, this input card is equipped with a 200 Hz Low Pass Filter for each input.



Pinout Information, Standard FC			
DSUB pin	Function	DSUB pin	Function
1	AI [1]+	14	AI [9]+
2	AI [2]+	15	AI [10]+
3	AI [3]+	16	AI [11]+
4	AI [4]+	17	AI [12]+
5	AI [5]+	18	AI [13]+
6	AI [6]+	19	AI [14]+
7	AI [7]+	20	AI [15]+
8	AI [8]+	21	AI [16]+
9	n/c	22	COM
10	AREF	23	COM
11	24V_SAFE	24	COM
12	24V_SAFE	25	COM
13	24V		



Specifications

Electrical

Slot Card Type	Analog Input
No. of channels	16
Input Type	Single-Ended True Bipolar
Input Range	-10V to +10V
Accuracy (20°C-35°C)	+/- 2mV
Input Impedance	370 kΩ
Inter-channel Crosstalk	-85 dB
Sampling Rate	4 kHz
Power Consumption	0.3W
Low-pass Input Filter Cutoff Frequency (-3dB)	200Hz

Protection

Input Over-Range Limits	-15V to +24V
-------------------------	--------------

Mechanical

Dimensions	98 x 45 mm
Weight	21 g

Environmental

Operating temp	0°C to 55°C
Storage temp	-40°C to 85°C
Relative Humidity, operating	10% to 90%, non-condensing

Certifications and Standards

EN 61326-1: 2021, IEC 61326-1: 2020
IEC 61326-3-1: 2017

