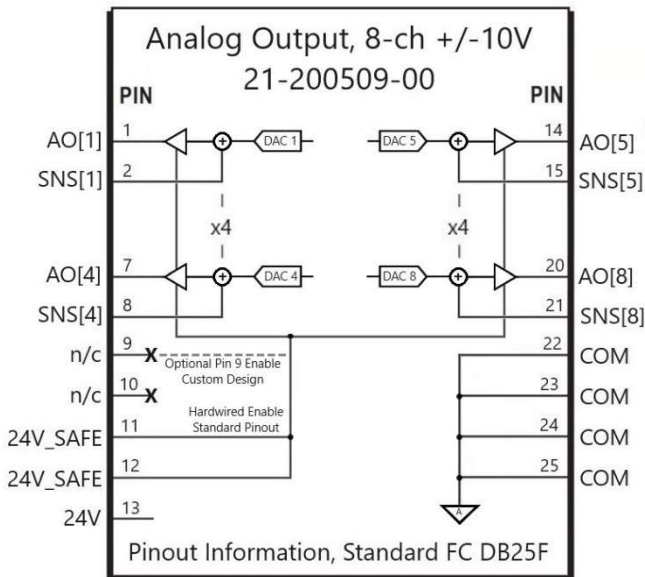




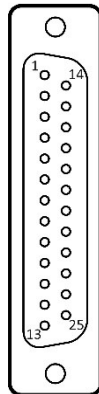
Description

The 8-ch analog output slot card provides output channels with 16-bit resolution and an output range of -10V to +10V. Each output channel can source a minimum of 5 mA into a load. At power up, all channels default to 0 volts. Each analog output channel has a ground sense input (SNS[n]) which can be used to compensate for the difference in ground potential between the slot card and the remote peripheral and allows for the highest precision. If the ground sense feature is not desired, the sense inputs should be tied to local ground. A safety relay is located on this card, which is controlled from an external pin. Connect this pin to +24V to enable analog outputs. When this pin is left open or connected to ground, power will be disconnected from the analog output drivers.



Pinout Information, Standard FC

DSUB pin	Function	DSUB pin	Function
1	AO [1]	14	AO [5]
2	SNS [1]	15	SNS [5]
3	AO [2]	16	AO [6]
4	SNS [2]	17	SNS [6]
5	AO [3]	18	AO [7]
6	SNS [3]	19	SNS [7]
7	AO [4]	20	AO [8]
8	SNS [4]	21	SNS [8]
9	n/c	22	COM
10	n/c	23	COM
11	24V_SAFE	24	COM
12	24V_SAFE	25	COM
13	24V		



Specifications

Electrical	
Slot Card Type	Analog Output
No. of channels	8
Output Type	Voltage
Resolution	16 bits
Output Voltage Range	-10V to +10V
Output Error Max (-10V to 10V) (20°C - 35°C)	+/- 2mV
Output Settling Time	< +/-1mV from new setpoint within 1ms
Output Impedance	3.2 ohms
Power Consumption (no load)	0.3W
Default output at Power-up	0 V
Mechanical	
Dimensions	98 x 45 mm
Weight	23 g
Environmental	
Operating temp	0°C to 55°C
Storage temp	-40°C to 85°C
Relative Humidity, operating	10% to 90%, non-condensing
Certifications and Standards	
EN 61326-1: 2021, IEC 61326-1: 2020	
IEC 61326-3-1: 2017	

