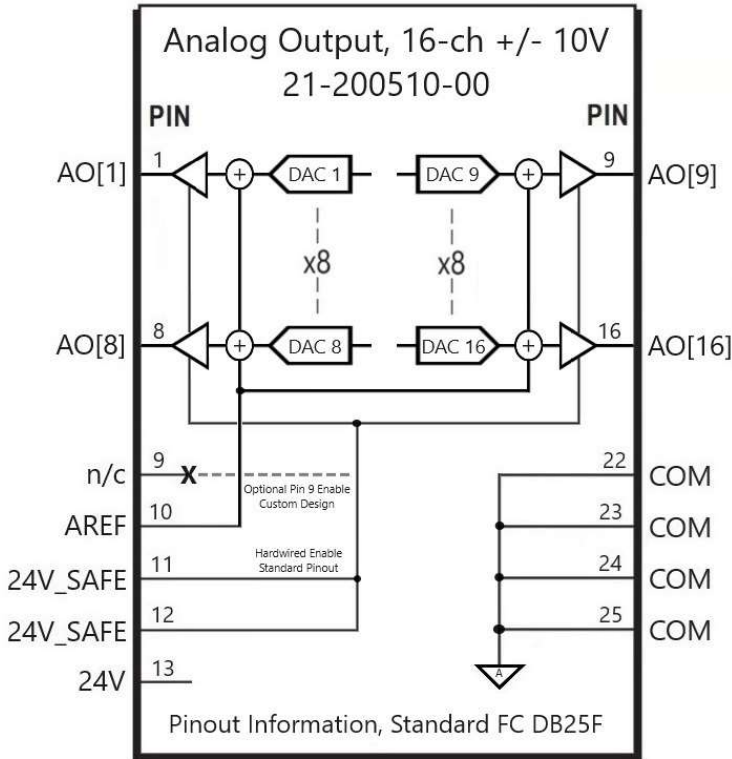


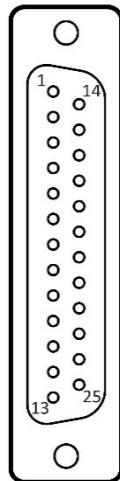


Description

This Analog Output slot card provides 16 output channels with 16-bit resolution and an output range of -10V to +10V. Each output is guaranteed to source 5 mA into a load. At power up, all outputs default to 0 Volts. An analog ground pin (AREF), is common to all channels, and is available to be connected to ground at the analog source for the highest precision. A safety relay is located on this card, which can be wired an external pin. Connect this pin to +24V to enable analog outputs. When this pin is left open or connected to ground, power will be disconnected from the analog output drivers. The standard configuration connects the enable analog outputs to 24V_SAFE. If connected to an external pin the internal 24V connection is not made.



Pinout Information, Standard FC			
DSUB pin	Function	DSUB pin	Function
1	AO [1]	14	AO [9]
2	AO [2]	15	AO [10]
3	AO [3]	16	AO [11]
4	AO [4]	17	AO [12]
5	AO [5]	18	AO [13]
6	AO [6]	19	AO [14]
7	AO [7]	20	AO [15]
8	AO [8]	21	AO [16]
9	n/c	22	COM
10	AREF	23	COM
11	24V_SAFE	24	COM
12	24V_SAFE	25	COM
13	24V		



Specifications	
Electrical	
Slot Card Type	Analog Output
No. of channels	16
Output Type	Voltage
Resolution	16 bits
Output Voltage Range	-10V to +10V
Output Error Max (-10V to 10V) (20°C - 35°C)	+/- 2mV
Settling Time	< +/-1mV from new setpoint within 1ms
Output Impedance	3.2 ohms
Power Consumption (no load)	0.3W
Default output at Power-up	0 V
Mechanical	
Dimensions	98 x 45 mm
Weight	24 g
Environmental	
Operating temp	0°C to 55°C
Storage temp	-40°C to 85°C
Relative Humidity, operating	10% to 90%, non-condensing
Certifications and Standards	
EN 61326-1: 2021, IEC 61326-1: 2020	
IEC 61326-3-1: 2017	

