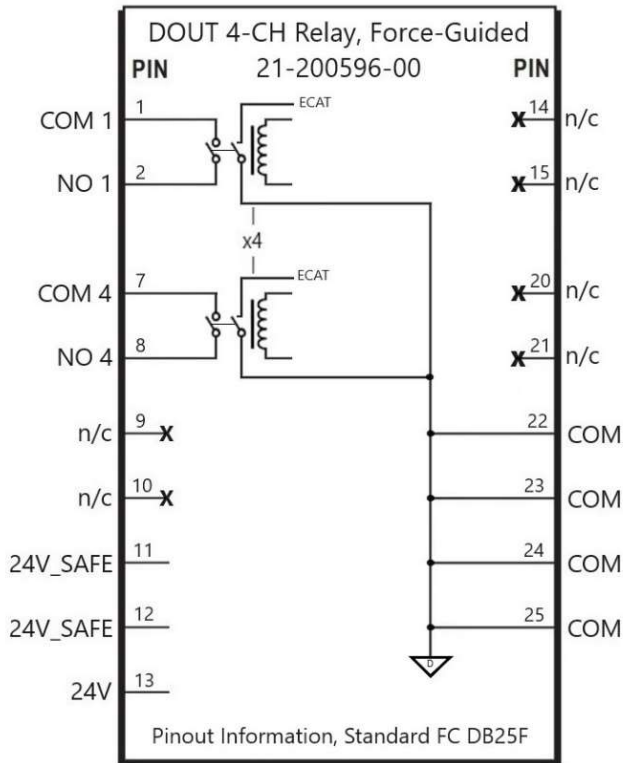




Description

The Force Guided Relay Output slot card provides four single-pole, single throw (SPST) dry contact output channels. Each channel is rated for up to 2A @ 60V. Feedback provided from each channel's (force-guided) second contact is reported via EtherCAT and is also used by the Fusion.IO's safety system to detect discrepancies between commanded and actual contact states. Note: This card occupies three slot card positions.



Specifications	
Electrical	
Slot Card Type	Relay Output
No. of channels	4
Relay Type	SPST Dry Contact
Contact Rating	2A @ 60VDC
Contact Resistance	0.1 Ohms
Turn-on (set) time	≤ 20ms
Turn-off (set) time	≤ 20ms
Power Consumption (all channels off)	0.05W
Power Consumption (all channels on)	2.8W
Mechanical	
Dimensions	98 x 45 mm
Weight	93 g
Environmental	
Operating temp	0°C to 55°C
Storage temp	-40°C to 85°C
Relative Humidity, operating	10% to 90%, non-condensing
Certifications and Standards	
SIL 3 Pending	

Pinout Information, Standard FC			
DSUB pin	Function	DSUB pin	Function
1	COM 1	14	n/c
2	NO 1	15	n/c
3	COM 2	16	n/c
4	NO 2	17	n/c
5	COM 3	18	n/c
6	NO 3	19	n/c
7	COM 4	20	n/c
8	NO 4	21	n/c
9	n/c	22	COM
10	n/c	23	COM
11	24V_SAFE	24	COM
12	24V_SAFE	25	COM
13	24V		

