

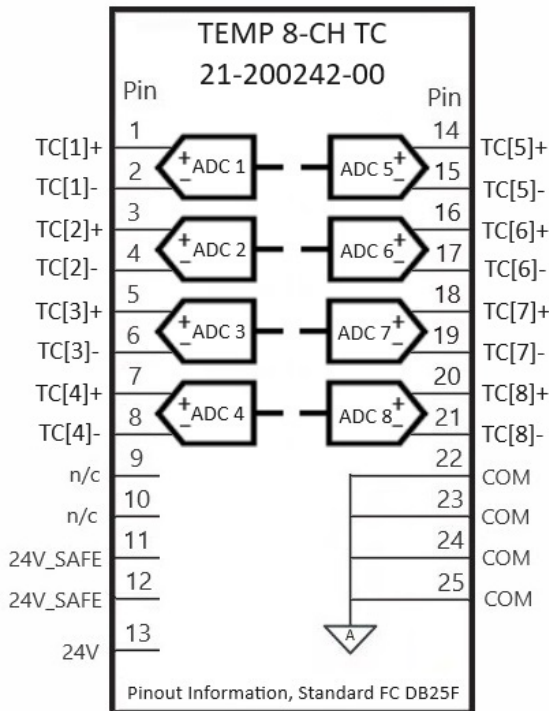
### Description

The Thermocouple slot card provides eight thermocouple input channels suitable for use with K type thermocouples. Grounded-tip and isolated-tip thermocouples are supported, and a built-in cold-junction compensation input is available\*. The cold-junction compensation is mounted on the field connect.

### Specifications

#### Electrical

Slot Card Type	Thermocouple Input
No. of channels	8
Supported Thermocouples	See Table
Drift over Temperature (25 °C to 50 °C)	±2 °C
Thermocouples Temperature Range	Per NIST ITS-90, See Table
<b>Protection</b>	
Input Over-Range Limits	-15V to +24V
<b>Environmental</b>	
Operating temp	0°C to 55°C
Storage temp	-40°C to 85°C
Relative Humidity, operating	10% to 90%, non-condensing



#### 8-Ch Thermocouple Types

Type	DDI PN	Temp Range
K	21-200242-00	-270C to +1372C
J	21-200242-01	-210C to +1200C
R	21-200242-02	-50C to +1768C
B	21-200242-03	0C to 1820C
C	21-200242-04	1000C to 2310C
E	21-200242-05	-270C to 1000C
N	21-200242-06	-270C to 1300C
S	21-200242-07	-50C to 1768C
T	21-200242-08	-270C to 400C

#### Pinout Standard Field Connect

DSUB pin	Function	DSUB pin	Function
1	TC[1]+	14	TC[5]+
2	TC[1]-	15	TC[5]-
3	TC[2]+	16	TC[6]+
4	TC[2]-	17	TC[6]-
5	TC[3]+	18	TC[7]+
6	TC[3]-	19	TC[7]-
7	TC[4]+	20	TC[8]+
8	TC[4]-	21	TC[8]-
9	n/c	22	COM
10	n/c	23	COM
11	24V_SAFE	24	COM
12	24V_SAFE	25	COM
13	24V		

