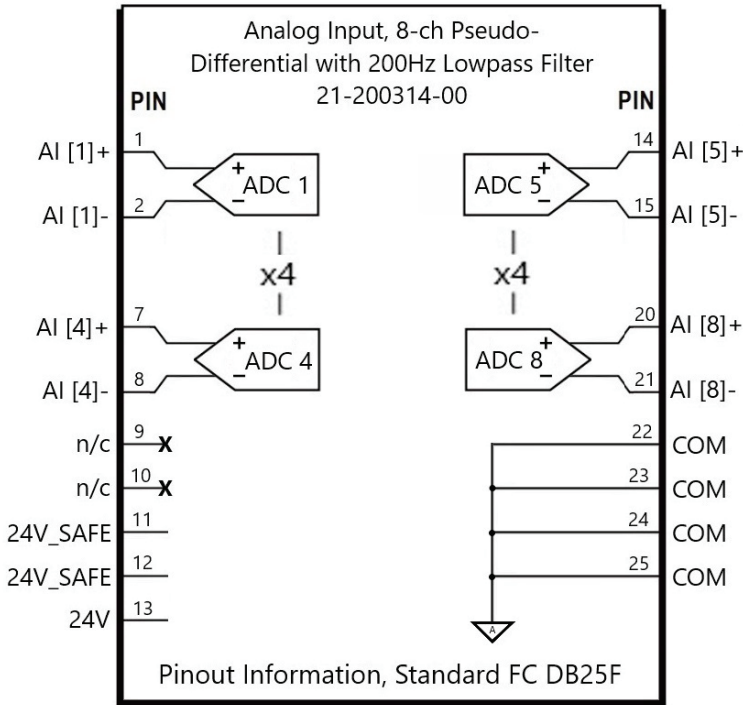


**Description**

The 8-channel Analog Input slot card provides eight pseudo-differential input channels with 16-bit resolution and an input range of -10V to +10V. Input channels which are not connected default to 0 volts. The AI[x]- inputs are intended to be connected to ground, or within +/- 100mV of ground. This pseudo-differential input type is ideal for applications that require DC common-mode voltage rejection and for single-ended input signals. It also avoids the complexity of differential drivers. Additionally, this input card is equipped with a 200 Hz Low Pass Filter for each input.



Specifications	
<b>Electrical</b>	
Slot Card Type	Analog Input
No. of channels	8
Input Type	Pseudo-Differential True Bipolar
Input Range	-10V to +10V
Accuracy (25°C-50°C)	+/- 2mV
Input Impedance	370 kΩ
Inter-channel Crosstalk	-95 dB
Sampling Rate	8 kHz
Power Consumption	0.3W
Low-pass Input Filter Cutoff Frequency (-3dB)	200Hz
<b>Protection</b>	
Input Over-Range Limits	-15V to +24V
<b>Environmental</b>	
Operating temp	0°C to 55°C
Storage temp	-40°C to 85°C
Relative Humidity, operating	10% to 90%, non-condensing

Pinout Standard Field Connect			
DSUB pin	Function	DSUB pin	Function
1	AI [1]+	14	AI [5]+
2	AI [1]-	15	AI [5]-
3	AI [2]+	16	AI [6]+
4	AI [2]-	17	AI [6]-
5	AI [3]+	18	AI [7]+
6	AI [3]-	19	AI [7]-
7	AI [4]+	20	AI [8]+
8	AI [4]-	21	AI [8]-
9	n/c	22	COM
10	n/c	23	COM
11	24V_SAFE	24	COM
12	24V_SAFE	25	COM
13	24V		

