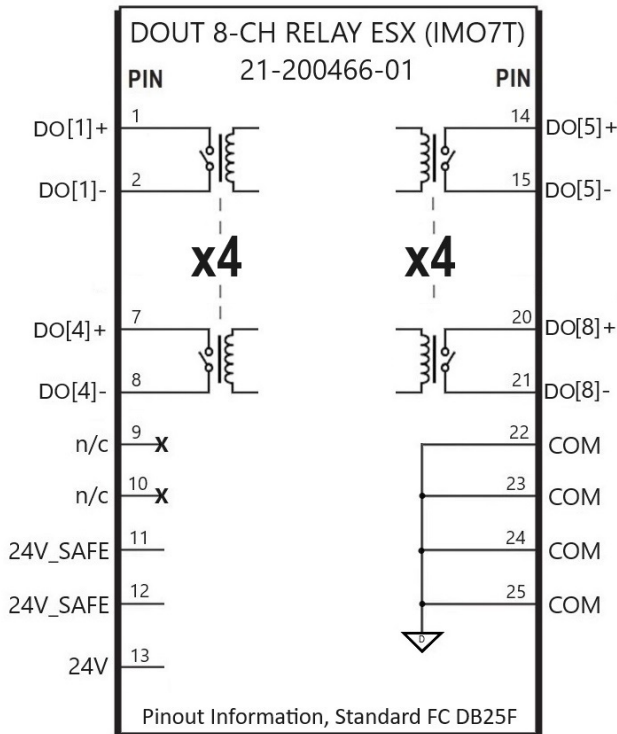




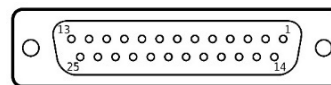
Description

The Relay Output slot card provides eight single-pole, single throw (SPST) dry contact output channels. Each channel is rated for up to 2A @ 30V.

Feedback provided from each channel's contact is reported via EtherCAT and is also used by the Fusion.IO's safety system to detect discrepancies between commanded and actual contact states.



Specifications	
Electrical	
Slot Card Type	Relay Output
No. of channels	8
Output Type	Relay, SPST, Dry Contact
Contact Rating	2A @ 30VDC
Contact Resistance	0.1 Ohms
Turn-on time	3ms
Turn-off time	3ms
Power Consumption (all channels off)	0.05 W
Power Consumption (all channels on)	1.6 W
Environmental	
Operating temp	0°C to 55°C
Storage temp	-40°C to 85°C
Relative Humidity, operating	10% to 90%, non-condensing
Certifications and Standards	
Relays: UL 508: E 111441	



Pinout Standard Field Connect			
DSUB pin	Function	DSUB pin	Function
1	DO[1]+	14	DO[5]+
2	DO[1]-	15	DO[5]-
3	DO[2]+	16	DO[6]+
4	DO[2]-	17	DO[6]-
5	DO[3]+	18	DO[7]+
6	DO[3]-	19	DO[7]-
7	DO[4]+	20	DO[8]+
8	DO[4]-	21	DO[8]-
9	n/c	22	COM
10	n/c	23	COM
11	24V_SAFE	24	COM
12	24V_SAFE	25	COM
13	24V		

